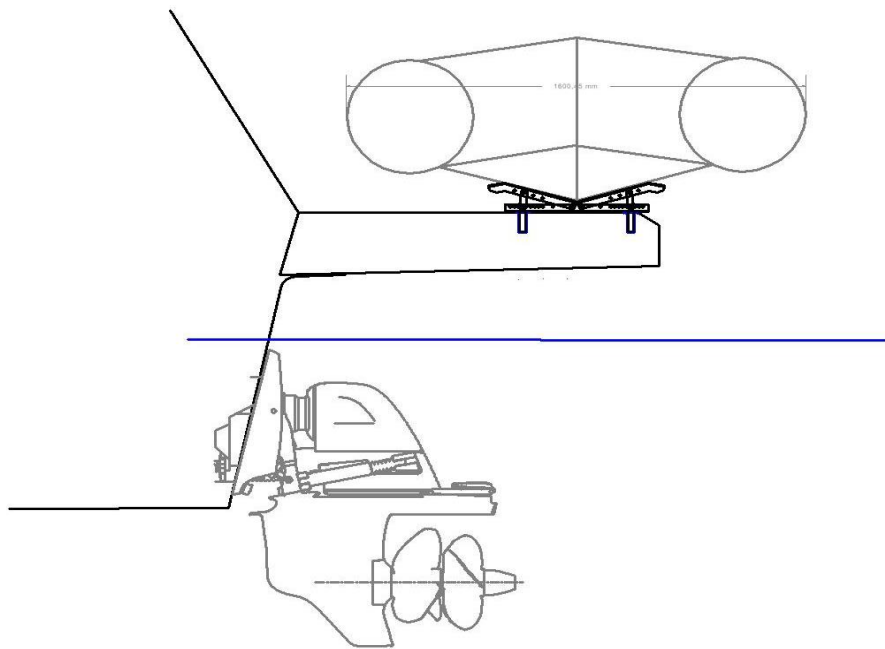
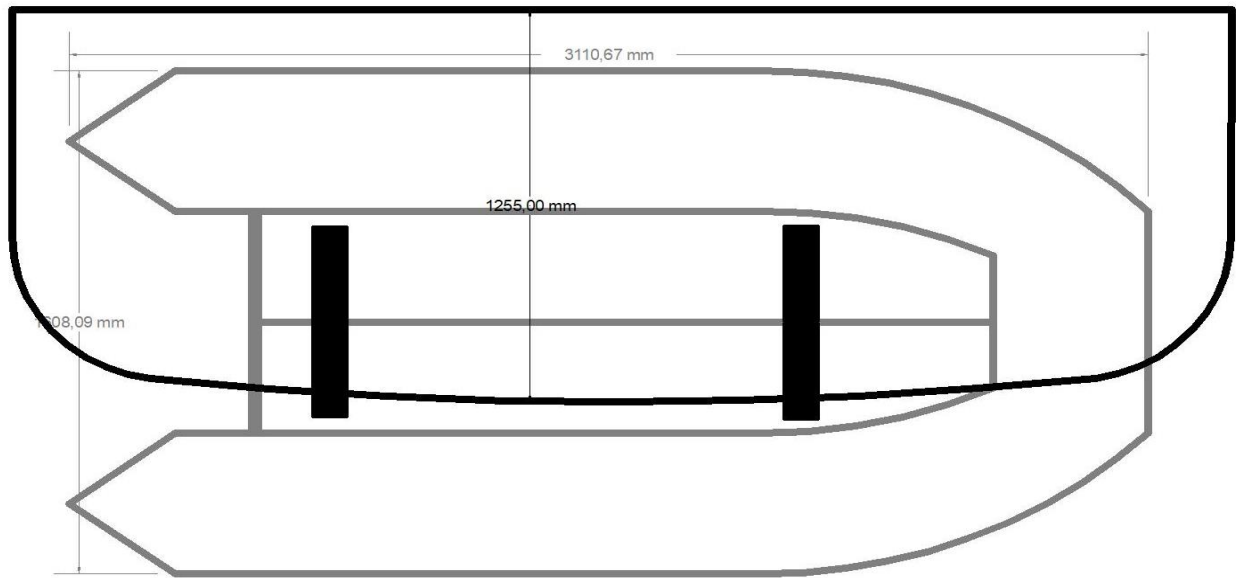
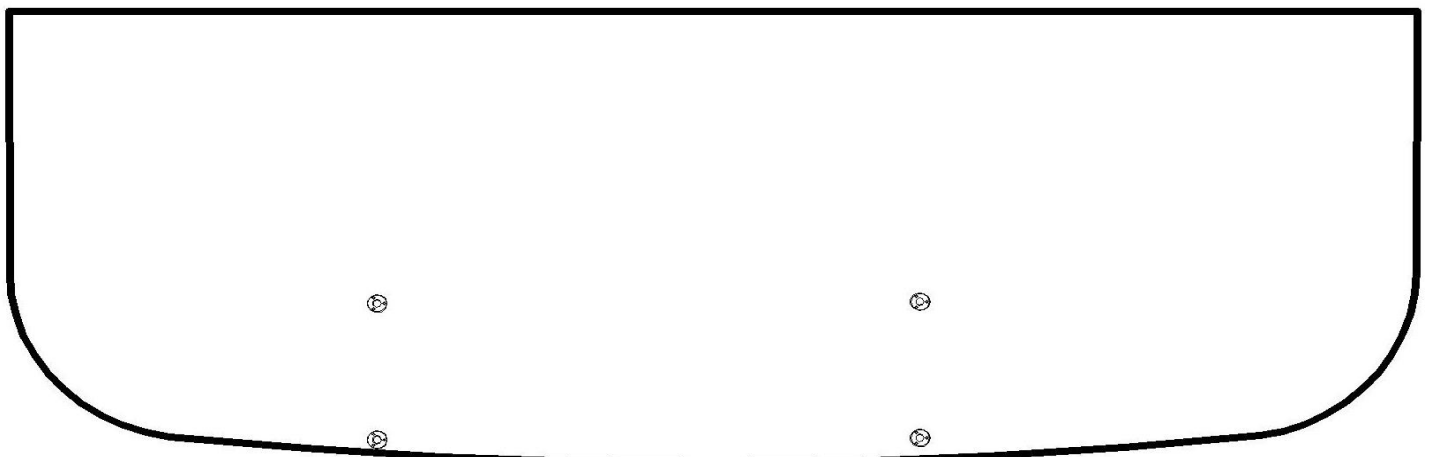


DD3 Mounting Instructions

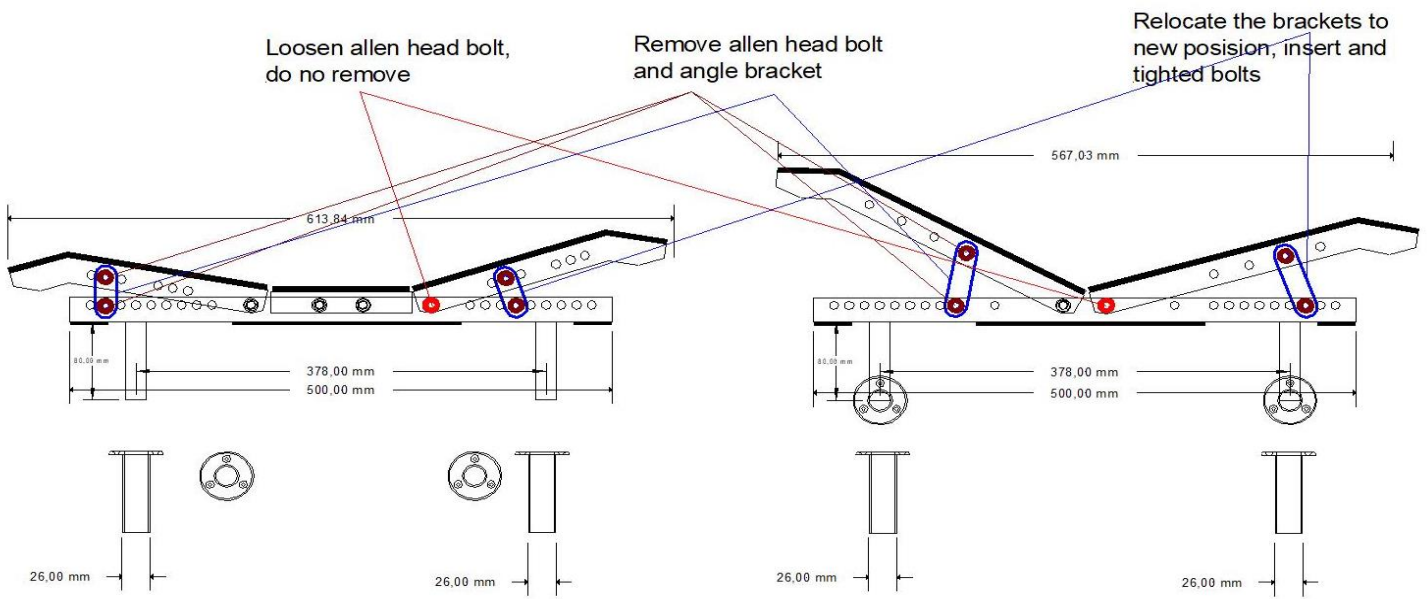
Place the dinghy / jet-ski on platform and adjust to find the best position depending on dinghy / jet-ski size. It's normal that the dinghy / jet-ski will be a bit on the outside of the platform.



Mark holes for the 4 brackets, drill a 26mm hole for each bracket, fasten bracket with 3 pcs 4,2x25mm screws.



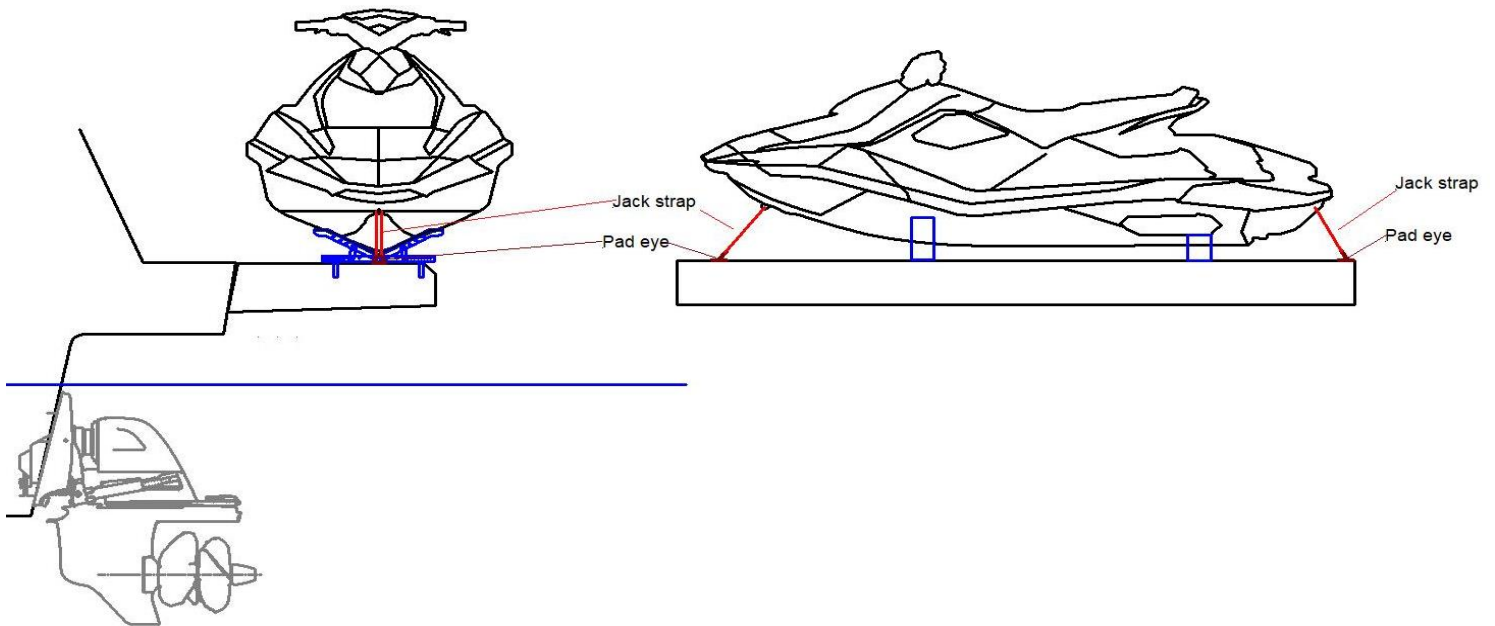
Angle adjustment



Securing the dinghy / jet-ski under navigation.

Alt 1:

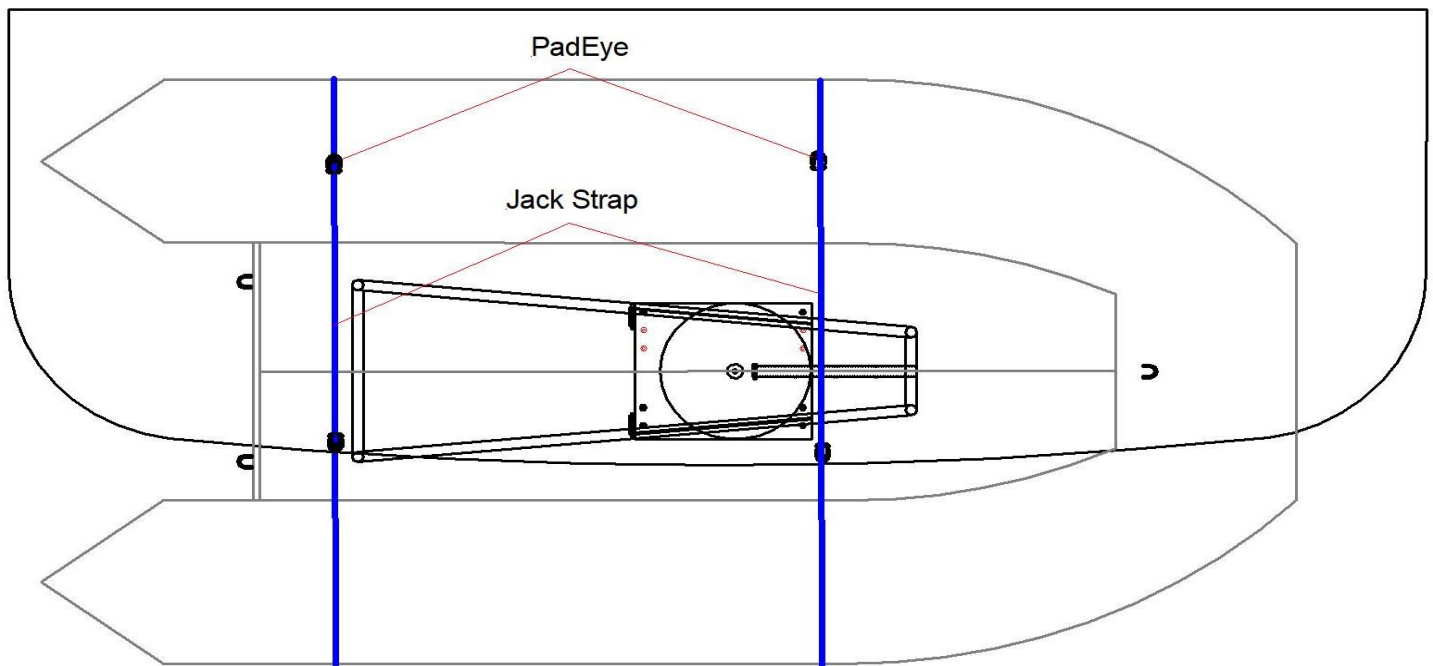
Draw a center line and mark on the swim platform, mount two pad-eye as far out from the dinghy / jet-ski so you get a approx 45degree from the fix point on the dinghy / jet-ski and down to the pay-eye. Then the dinghy / jet-ski cant move in any direction. Use stainless steel jack straps.



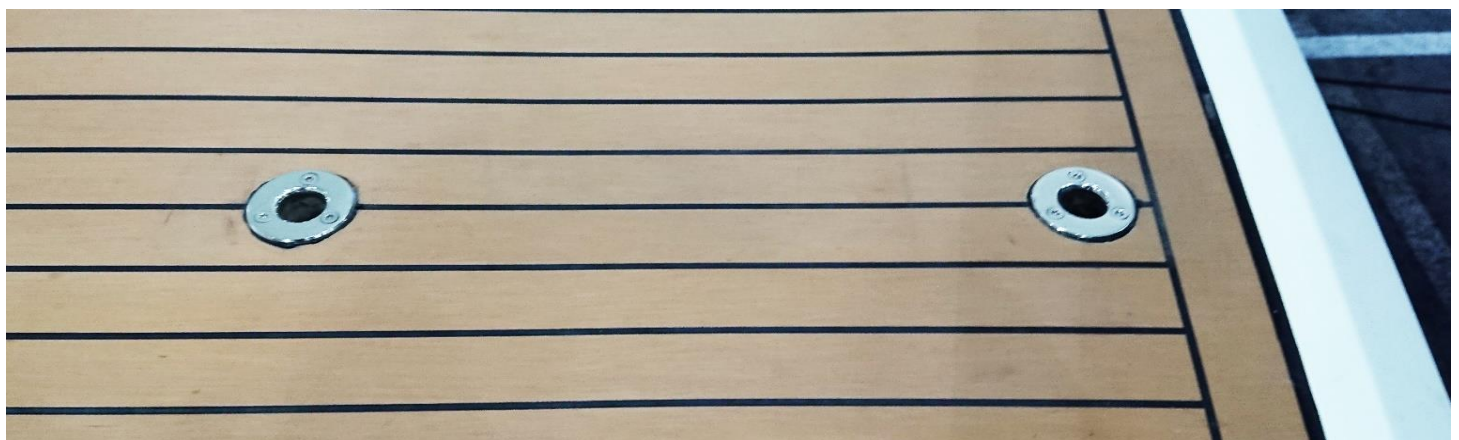
Alt 2:

If you are not able to use **alt 1** you can also use strap down the dinghy / jet-ski like **alt 2**.

Mount four pcs pad-eye into the platform and tread the jack strap thru the pad-eye.



Brackets in platform



Any question about installation or use of the DD3 davit, feel free to contact us at any time.



Anchorlift Technic

Oslo Norway

Email: roy@anchorlift.com